



An all-in-one audio solution

Synchronise • Alert • Communicate

Bodet Alert solution



www.bodet-time.com

MADE IN FRANCE

DESCRIPTION

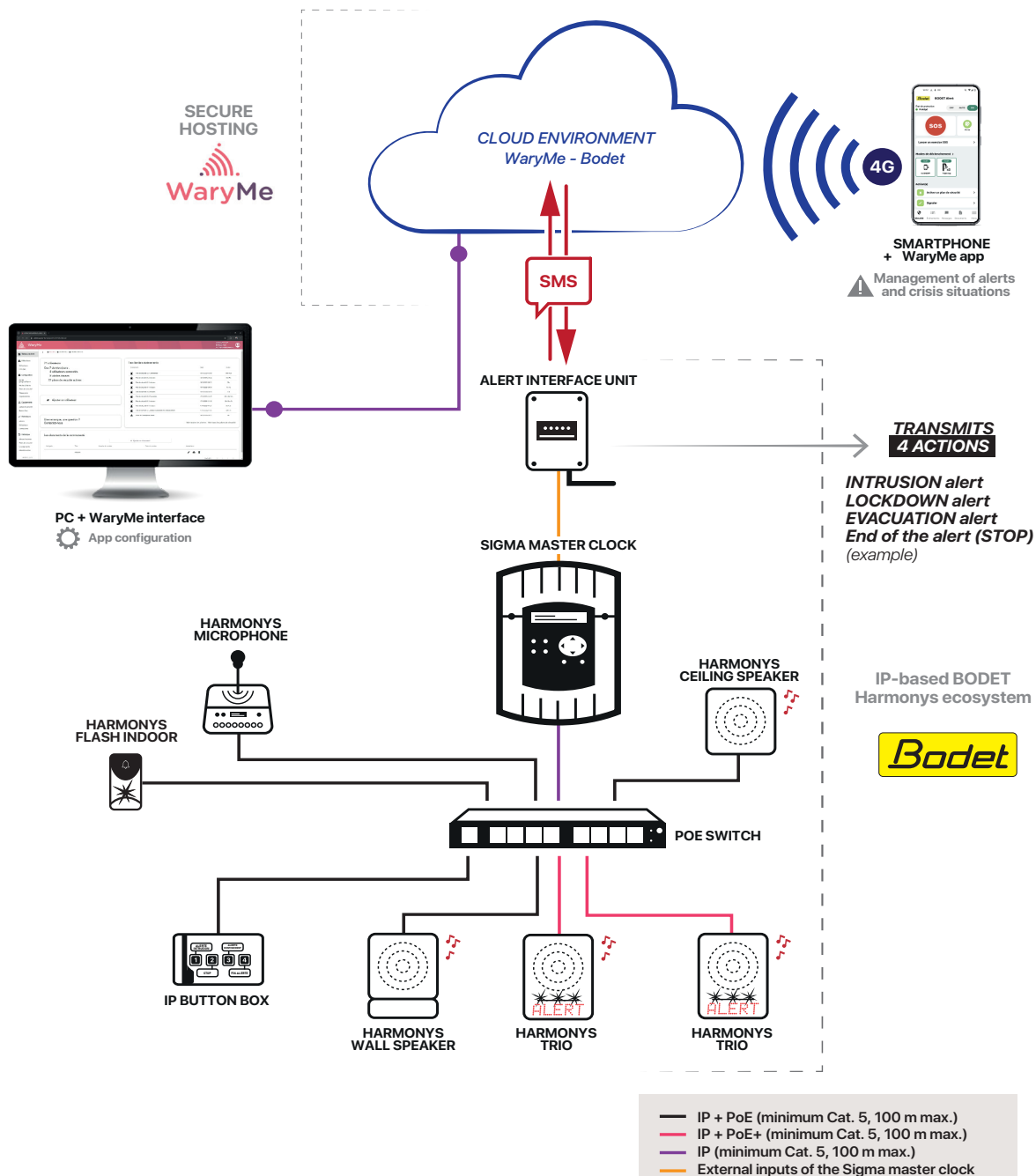
- The Bodet Alert solution combines the reliability of an IP-based hardware audio ecosystem (Harmonys) installed on site with an app dedicated to crisis situations.
- The mobile interface enables to manage safety alerts on a Harmonys ecosystem and facilitates crisis management to improve responsiveness and coordination of all key players in the case of a threat (safety teams, forces of order,...).
- Solution enabling system redundancy (triggering of alerts locally or on the cloud) suitable to different safety plans.
- Secure cloud hosting, developed and hosted in France, GDPR-compliant.
- This device cannot be the only means of triggering a safety alert. A wired control solution must be imperatively implemented on site.
- An optional monitoring station allows for easy monitoring of sites and smooth interactions for managing safety events.



Bodet Alert



INSTALLATION DIAGRAM





An all-in-one audio solution

Synchronise • Alert • Communicate

Bodet Alert solution



Bodet

www.bodet-time.com

MADE IN FRANCE

MAIN FEATURES

The Bodet Alert solution can be used to:

- trigger 3 types of alerts (we recommend the following 3 alerts: Intrusion, Lockdown, Evacuation) on the IP-based Harmonys ecosystem or to stop the current alert,
- be informed when an alert has been triggered,
- follow the stages of a safety plan and actions (scenario) in case of threats,
- mobilise, communicate with employees and broadcast mass messages,
- keep a precise history of crisis situations based on reports generated automatically at the end of the event.

USE (SMARTPHONE)

The mobile interface is easy and intuitive to use.

It combines the following features:

- Triggering of 3 types of alerts (we recommend the following 3 alerts: Intrusion, Lockdown, Evacuation) and stopping of the alert,
- Geographic location and triggering information (whether the alert has been triggered from a smartphone with the app installed),
- Trigger, and display the interactive sequence of safety plan stages,
- Audio recording of ambience and communications from the smartphone that has triggered the alert, via the SOS alert (individual alert),
- History of events (alerts or safety plans activated),
- Carry out mass messaging to send and/or receive information or safety instructions.



Smartphone app

CONFIGURATION AND USE (PC)

The configuration is carried out on the PC interface (cloud):

- Creation and management of different types of profiles (granting rights,...),
- Configuration of a geographic area to define a scope of use,
- Management of alert rules (depending on the geographic area and the type of sender/recipient),
- Creation of appropriate safety plans adapted to the type of event, to be launched and monitored on the mobile app should an emergency situation occur,
- Creation and management of predefined groups and messages for mass messaging,
- Use of statistics and history reports on events (number, type, date, time,...) and users (connection history, active accounts,...).



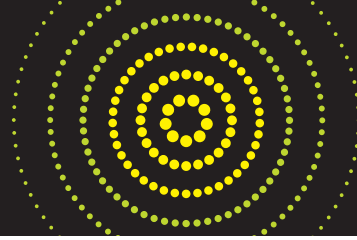
PC configuration



An all-in-one audio solution

Synchronise • Alert • Communicate

Bodet Alert solution



Bodet

www.bodet-time.com

MADE IN FRANCE

TECHNICAL FEATURES

Alert interface box

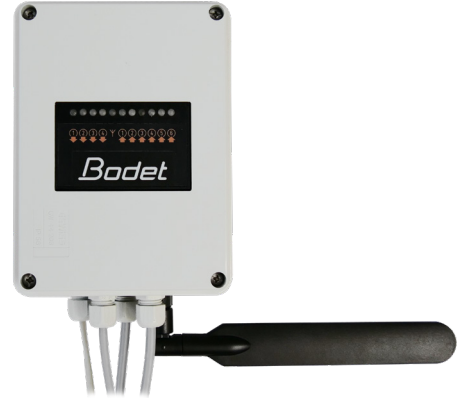
- The information on the triggering and stopping of safety alerts is transmitted via text message between the WaryMe-Bodet cloud and the IP-based Harmonys ecosystem through the use of a Bodet interface unit connected to the Sigma master clock.

General features

- Types of mobile network..... 3G/4G.
- Configuration..... From a web interface on a PC.
- Inputs..... 3 digital inputs, each to be connected to a dry contact on the Sigma master clock.
- Outputs..... 4 relay outputs, each to be connected to an external input of the Sigma master clock (3-input option card required).
- GSM antenna..... External antenna included.
Connection to SMA female coaxial jack socket.
- Visual indicators..... Green LEDs: output status.
Blue LED: mobile network reception status.
Orange LEDs: input status.

Mechanical features

- Construction..... Plastic casing.
- Mounting option..... Wall mounting.
- Protection index..... IP40.
- Weight..... 700g.
- Operating temperature..... -20°C to 60°C.
- Humidity level..... 5 to 95% (non-condensing).
- Cable routing..... 4 PG7 cable glands.
- Dimensions..... See below.



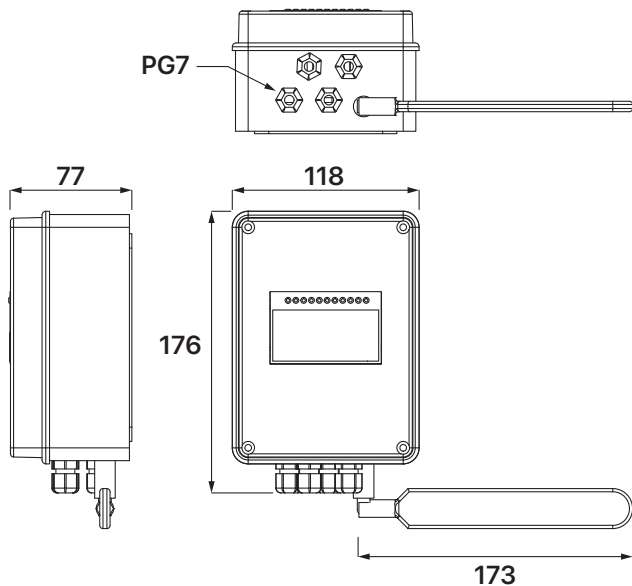
Alert interface box

Electric features

- Power supply..... 12-24V $\overline{=}$ - 690 mA max.
- Electrical insulation..... Class II.
- Overvoltage category..... Category II.
- Digital inputs..... Input voltage: 3-12V $\overline{=}$
Input current: 2mA.
- Relay outputs..... Maximum voltage: 250V \sim .
Max breaking capacity: 750 VA.
- Battery..... Unpredictable availability.
Li-poly technology.
Voltage: 3.7V.
Capacity: > 320 mAh.

Compliance

- Directives..... RED 2014/53/EU,
RoHS 2011/65/EU.

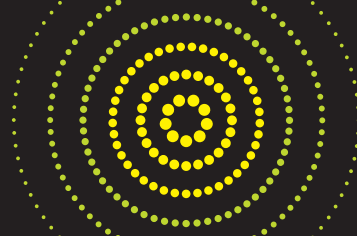




An all-in-one audio solution

Synchronise • Alert • Communicate

Bodet Alert solution



www.bodet-time.com

MADE IN FRANCE

PREREQUISITES

Sites to be equipped with the solution

- Text message communication via the mobile network requires a SIM card to be installed inside the interface unit. We recommend a SIM card with a package that includes at least unlimited text messages. It is necessary that you carry out a network compatibility and coverage test before commissioning.



SIM card not supplied with the alert interface, at your expense. Package with 14-digit SIM M2M card required. Micro SIM 3FF format required. The PIN code of the SIM card must be deactivated before inserting it into the alert interface.

- IP ecosystem (Bodet equipment) up to date.
- The programming of IP button boxes connected to the Sigma master clock installed in each site must be the same as the one that will be entered in the app (scenarios for triggering alerts on equipment). The STOP button setting must match the "OFF global" function in the Sigma configuration.

REFERENCES

- 907 542**..... 3-input option card for Sigma master clock.
- 907 550**..... 10-metre cable for remote GSM antenna.
- 907 558**..... Alert interface unit (SIM card not supplied).

- The app works with an operating licence available in 2 versions: Crisis management or Crisis management + individual alert (SOS button from the smartphone app).
- Bodet Alert is a safety solution in the form of an annual licence to be renewed to ensure continuity of service.** A valid licence gives access to technical support (hotline) and app updates.
- To set up a monitoring station and/or manage several sites operating independently, please contact our sales department.
- Audit, commissioning and training services are compulsory as part of any roll-out.

OPTIONAL MONITORING STATION

Presentation

Supervision allows for centralisation of safety events on a large screen, without the need for a heavy technical infrastructure. It constitutes a standalone remote monitoring centre that is easy to roll-out and requires a licence with hardware (player or touch terminal). The monitoring station features a consistent interface with the smartphone app, making it easy to use all functions:

- Management and control of safety plans (activation, monitoring of action plans,...),
- Reception and management of SOS alerts (identification, location, ambient listening, intervention protocol, mass communication...),
- Messaging (communication feeds, notifications,...) and alert management services (mobilisation chain, forms,...).

Prerequisites

- Setting up a monitoring station requires the use of an Android equipment (player or touch terminal) supplied by Bodet depending on the licence used.
- If an Android player is supplied, peripheral devices (screen, keyboard, mouse,...) are at the customer's expense.
- The monitoring station must be connected to the customer network and/or have a standalone internet connection via the 4G network (optional):
 - If the monitoring station is connected to the customer's network infrastructure, the equipment must have the necessary IT authorisations to operate properly. Setting up the appropriate network infrastructure is at the expense and the sole responsibility of the customer.
 - If you choose the 4G option, you will need to carry out a network coverage test before commissioning.
- Availability of network flows:
 - The following network ports must be opened on the equipment used as monitoring station:

Flow	Function	Type	Port
WaryMe Servers	Customer app flow to WaryMe servers	TCP	443
Google Maps Services	Reverse geocoding	HTTPS	443
OpenStreetMap	Map tiles	HTTPS	443
Crashlytics	Real time crash reporting	HTTP HTTPS	80 443
Firebase Cloud Messaging	Push notifications	HTTP HTTPS	80 443

Technical features

- 2 equipment are available for the monitoring station. Optional 4G connectivity.

Android player

- Chipset..... RK3588.
- Memory (RAM)..... 8GB.
- Storage (ROM)..... 64GB.
- OS..... Android 12.
- Connectivity..... Ethernet, Wi-Fi.



Touch terminal

- Touch screen..... 15.6" Full HD 1920X1080.
- Chipset..... RK3588.
- Memory (RAM)..... 8GB.
- Storage (ROM)..... 64GB.
- OS..... Android 12.
- Connectivity..... Ethernet, Wi-Fi.
- Construction..... Aluminium casing and base.

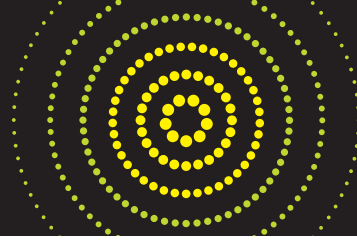




An all-in-one audio solution

Synchronise • Alert • Communicate

Bodet Alert solution



www.bodet-time.com

MADE IN FRANCE

OPTIONAL: SMARTPHONE

Presentation

The Bodet Alert smartphone is an ultra-compact and resistant touch-screen device, locked in the Bodet Alert app. It is especially dedicated to safety team members and staff in charge of ensuring the organisation's safety.

Technical features

- Features identical to the use on a traditional smartphone:
 - Digitising and monitoring safety plans,
 - Geolocation and triggering information,
 - Real-time ambient listening with recording,
 - Messaging service,
 - ...



Bodet Alert smartphone

Smartphone

- Dimensions..... 108x53x17.5 mm.
- Weight..... 130 g.
- Protection index..... IP68.
- Touch screen..... 3.5" (HD 1440x720 pixels).
- Battery..... 2400 mAh.
Charging cable supplied.
- Autonomy..... 5 days.
- Photo sensor..... 8MP (back), 2MP (front).
- Processor..... CPU 8 cores 2GHz.
- Memory (RAM)..... 4GB.
- Storage (ROM)..... 64GB.
- OS..... Android 10.
- SIM function..... Double SIM.
- Connectivity..... 3G, 4G, Wi-Fi, Bluetooth.

